

NO SURVEY WAS PERFORMED BY PECK SITE-COM FOR THIS PROJECT. ALL DIMENSIONS / ORIGINAL DRAWINGS PROVIDED BY T-MOBILE.

NOTE: OTHER PROVIDER ANTENNAS NOT SHOWN FOR CLARITY.

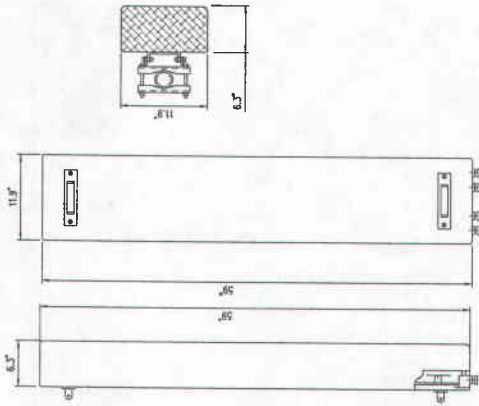
KEY NOTES

- 1 (E) T-MOBILE EQUIPMENT AREA
- 2 NEW 300W RADIO MOUNTED IN (E) T-MOBILE BTS EQUIP. CABINET
- 3 (E) 200 AMP ELECTRICAL METER
- 4 (E) 200 AMP ELECTRICAL METER
- 5 (E) 200 AMP ELECTRICAL METER
- 6 (E) 200 AMP ELECTRICAL METER
- 7 (E) 200 AMP ELECTRICAL METER
- 8 (E) 200 AMP ELECTRICAL METER
- 9 (E) 200 AMP ELECTRICAL METER
- 10 (E) 200 AMP ELECTRICAL METER
- 11 (E) 200 AMP ELECTRICAL METER
- 12 (E) 200 AMP ELECTRICAL METER
- 13 (E) 200 AMP ELECTRICAL METER
- 14 (E) 200 AMP ELECTRICAL METER
- 15 (E) 200 AMP ELECTRICAL METER

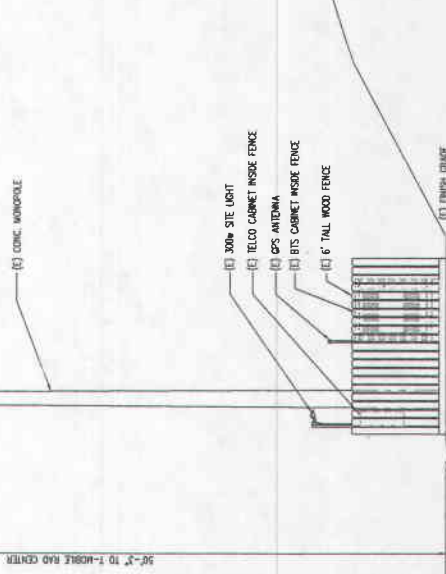
NEW DUAL POLE ANTENNA TO BE ADDED (1) PER SECTOR FOR A TOTAL OF (6) ANTENNA

NEW TRI-BRACKET MONOPOLE ANTENNA MOUNT

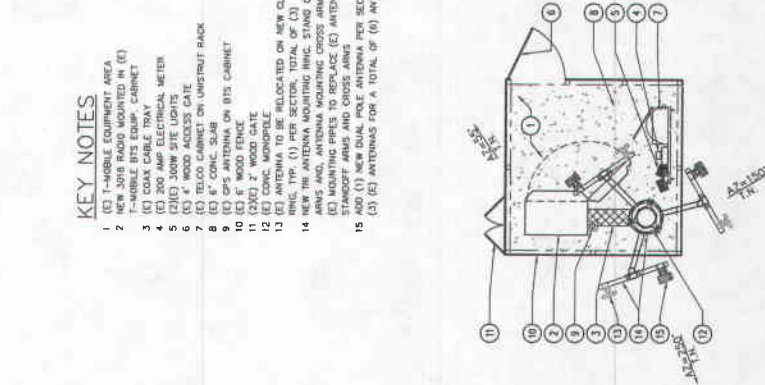
(3) (E) ANTENNA TO BE MOVED TO NEW MOUNTING BRACKETS



TYP. ANTENNA DETAIL
 MONOPOLE ANTENNA MOUNT
 TYP. (1) PER SECTOR
 SCALE: N.T.S.



CLAMP ON RING MOUNT DETAIL
 SCALE: 1/4"=1'-0"



ENLARGED SITE PLAN
 SCALE: 1/4"=1'-0"

SITE ADDRESS
 3866 E. DORADO
 PACTVILLE, CA 95667

T-Mobile
 OMNIPONT COMMUNICATIONS
 1000 Convent Road, Suite 1000, San Francisco, CA 94103

Peek Site-Com
 853 Lincoln Way, Suite 108
 Auburn, California 95603
 Phone (530) 885-5160
 E-Mail info@peeksitecom.com

This drawing contains information which is the property of the company of origin. It is not to be reproduced, stored in a retrieval system, or transmitted in any form or by any means, without the written consent of the company of origin.

REVISIONS

NO.	DESCRIPTION	DATE	BY
1	ISSUE CORRECT LOG'S	3-10-09	DL
2	ISSUE CORRECT LOG'S	3-25-09	DL
3			
4			
5			
6			

RT 50 & EL DORADO

OVERALL SITE PLAN

PROJECT NO. 001
 SHEET NO. A-1

DATE: 3-10-09
 DRAWN BY: [Name]
 CHECKED BY: [Name]
 SCALE: AS SHOWN
 PROJECT: [Name]

S 96-0005R

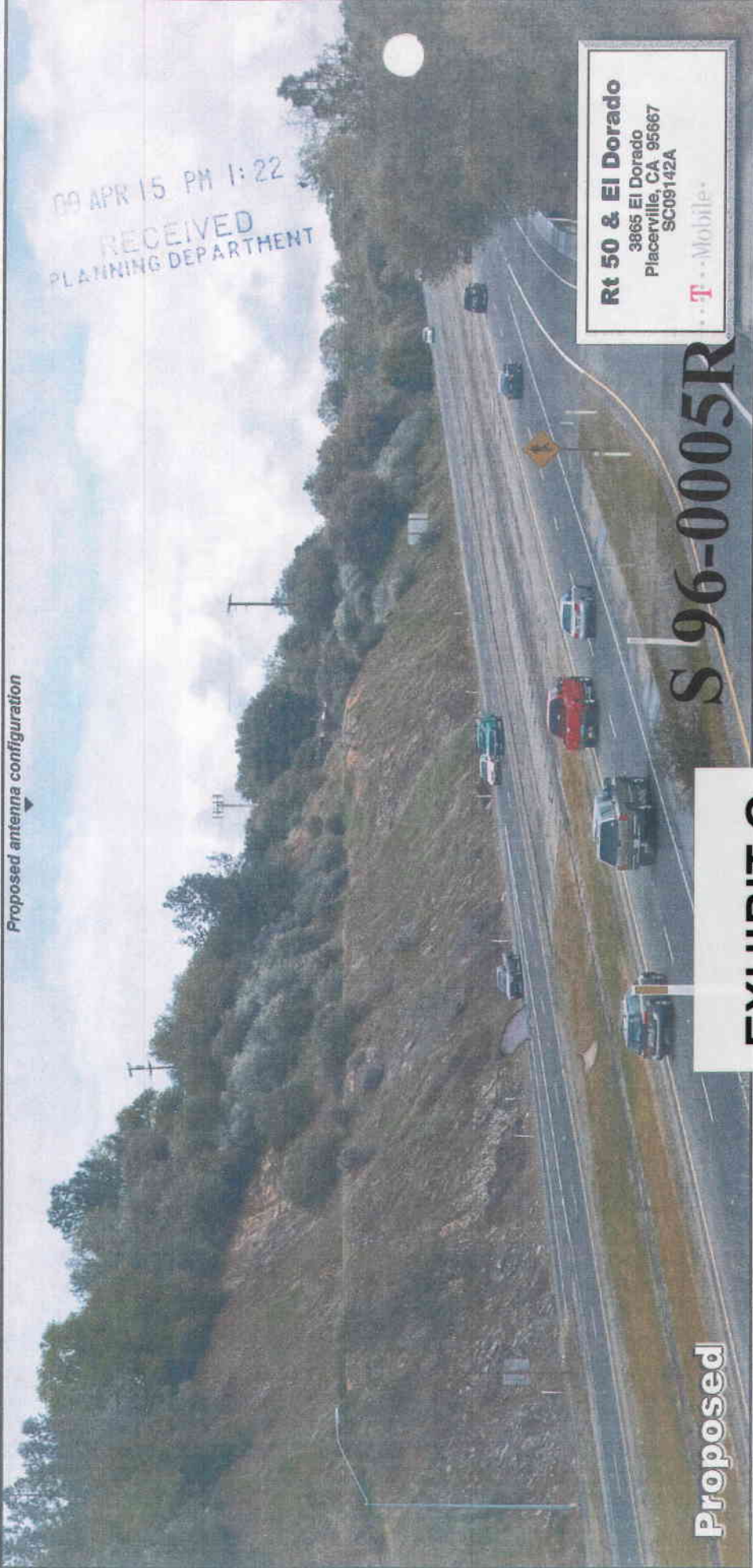
EXHIBIT F

Photosimulation of view looking northeast from the Hwy 50 onramp from El Dorado Road.

Existing antenna configuration



Proposed antenna configuration



Rt 50 & El Dorado
 3865 El Dorado
 Placerville, CA 95667
 SC09142A

T-Mobile

S 96-0005R

EXHIBIT G

© Copyright 2009, Provesialists Inc., all rights reserved. Any modification, or comments, call 1-877-798-3210 or visit www.photosim.com
 This photosimulation is based upon information

A portion of this image is strictly prohibited and considered a violation of US copyright laws. Provesialists is or comments, call 1-877-798-3210 or visit www.photosim.com

Photosimulation of telephoto zoom view looking northwest from the nearest point along Hwy 50.



Existing



09 APR 15 PM 1:22
 RECEIVED
 PLANNING DEPARTMENT

S 96-0005R

Proposed

Rt 50 & El Dorado
 3865 El Dorado
 Placerville, CA 95667
 SC09142A

...T...Mobile...