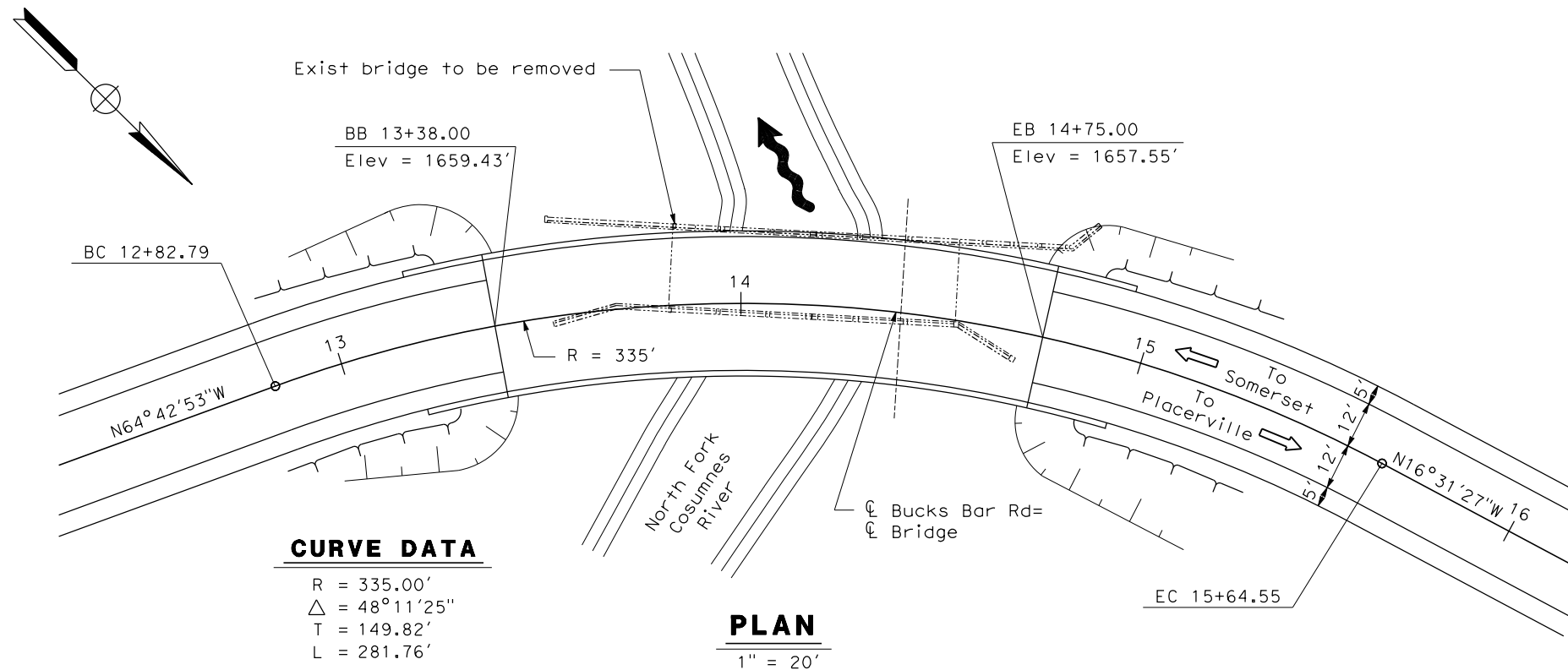
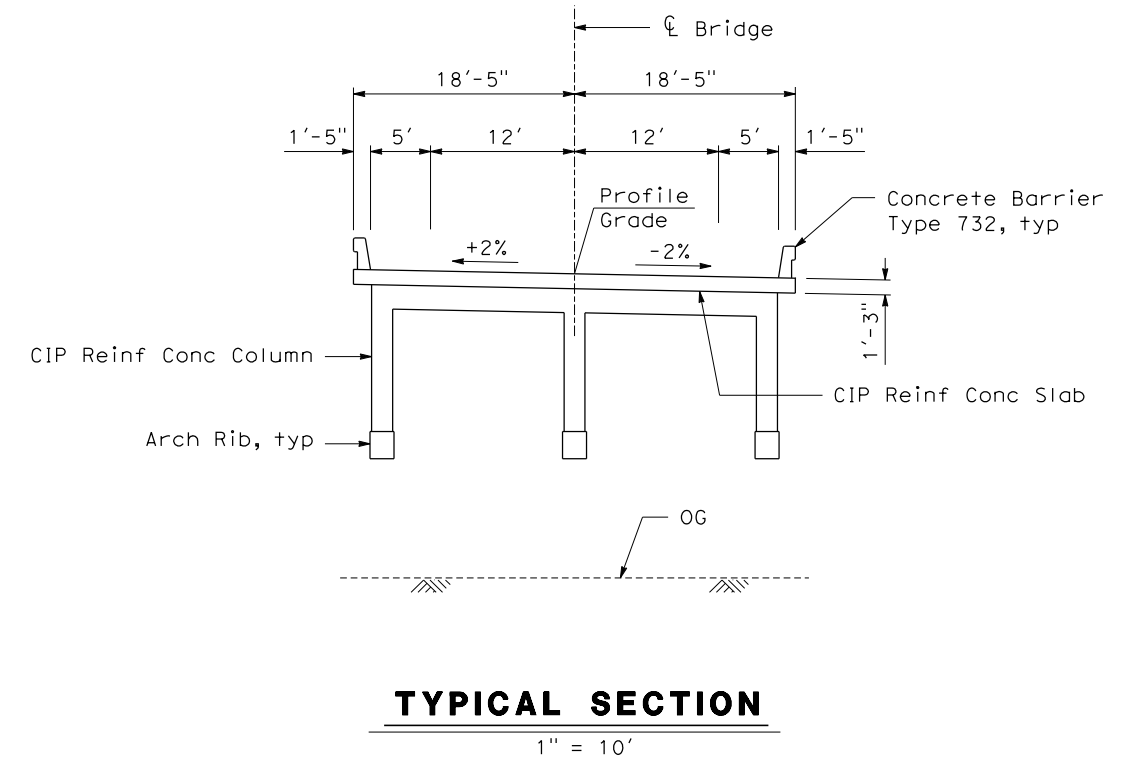
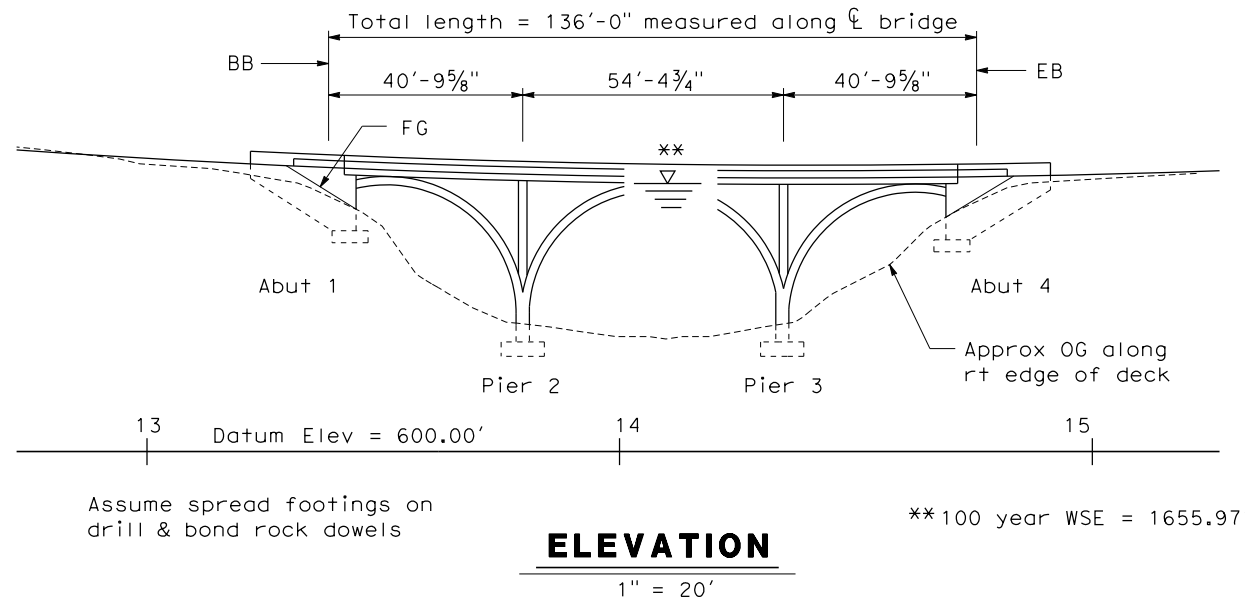
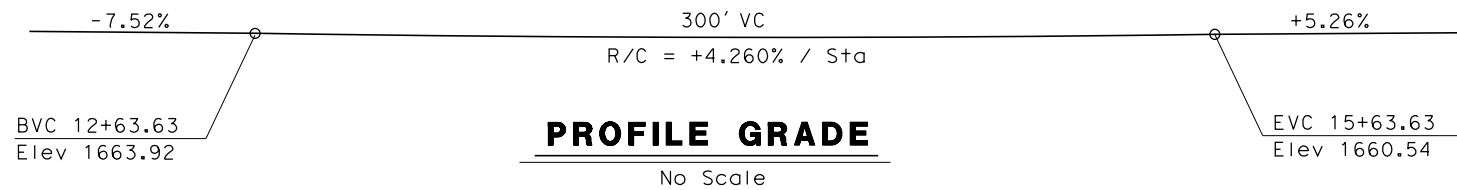


PREPARED FOR EL DORADO COUNTY

DIST.	COUNTY	ROUTE	POST MILES TOTAL PROJECT
03	ED	Local	N/A

El Dorado County
Department of Transportation
4505 Golden Foothill Parkway
El Dorado Hills, CA 95762

Dokken Engineering
2365 Iron Point Rd, Suite 200
Folsom, Ca 95630



Date of estimate	= 11-04-09
Structure depth	= 1'-3"
Length	= 136'-0"
Width	= 36'-10"
Area	= 5009 sq ft
Cost/□ ft including 10% mobilization & 25% contingency	= \$380.00
Bridge Removal	= \$150,000
Total Cost	= \$2,050,000

ALTERNATIVE 4

PLANNING STUDY

BUCKS BAR ROAD BRIDGE (REPLACE)

BRIDGE NO. 25C-0003	CU N/A
SCALE: AS NOTED	EA N/A

DESIGNED BY K. Sorokina	DATE 11-04-09
DRAWN BY C. Houghton	DATE 11-04-09
CHECKED BY J. Bishop	DATE 11-04-09
APPROVED	DATE

John Bishop
PROJECT ENGINEER

X	DESIGN OVERSIGHT
X	SIGN OFF DATE