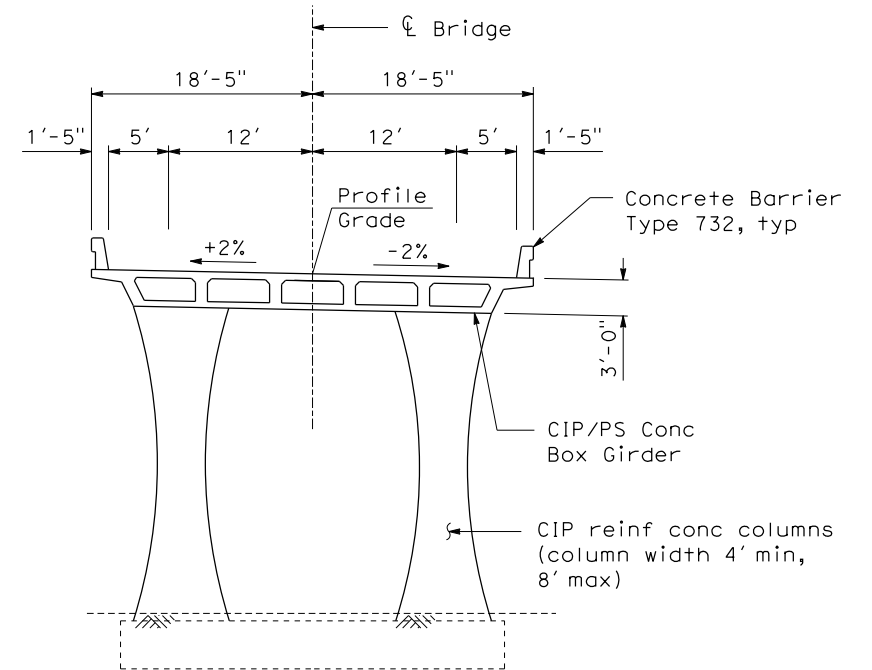
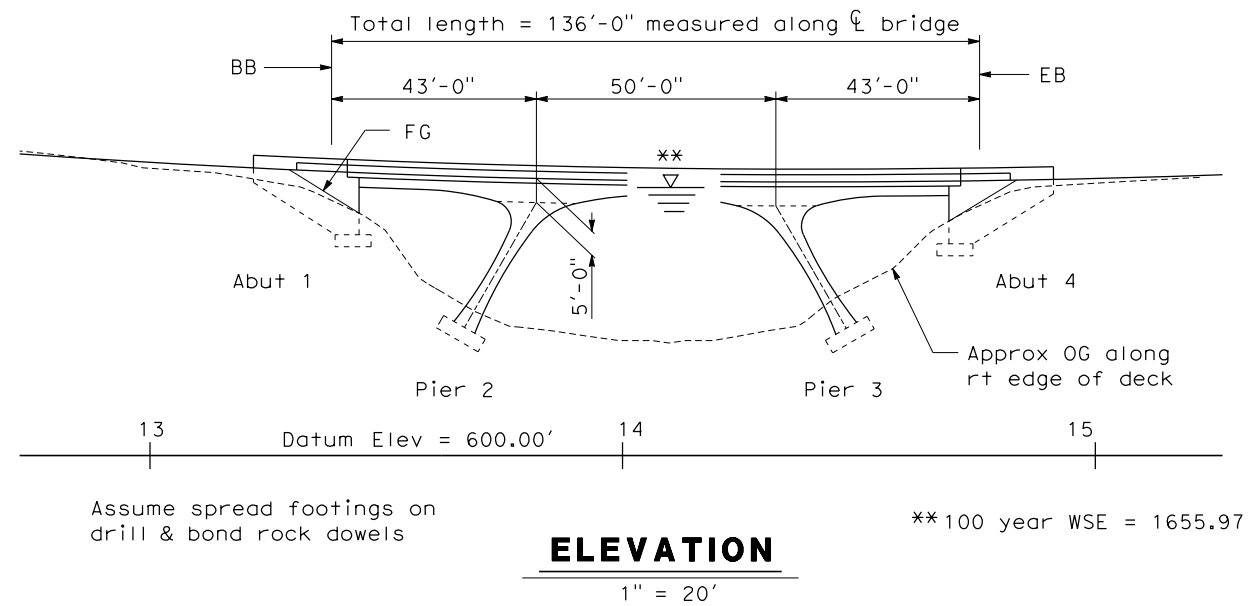
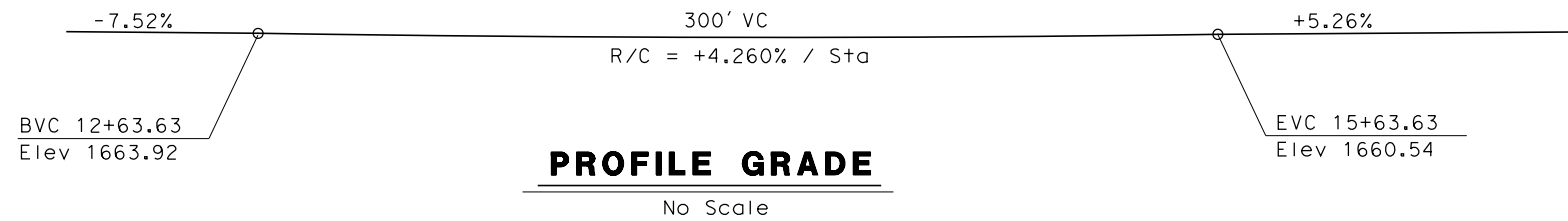


PREPARED FOR EL DORADO COUNTY

DIST.	COUNTY	ROUTE	POST MILES TOTAL PROJECT
03	ED	Local	N/A

El Dorado County
Department of Transportation
4505 Golden Foothill Parkway
El Dorado Hills, CA 95762

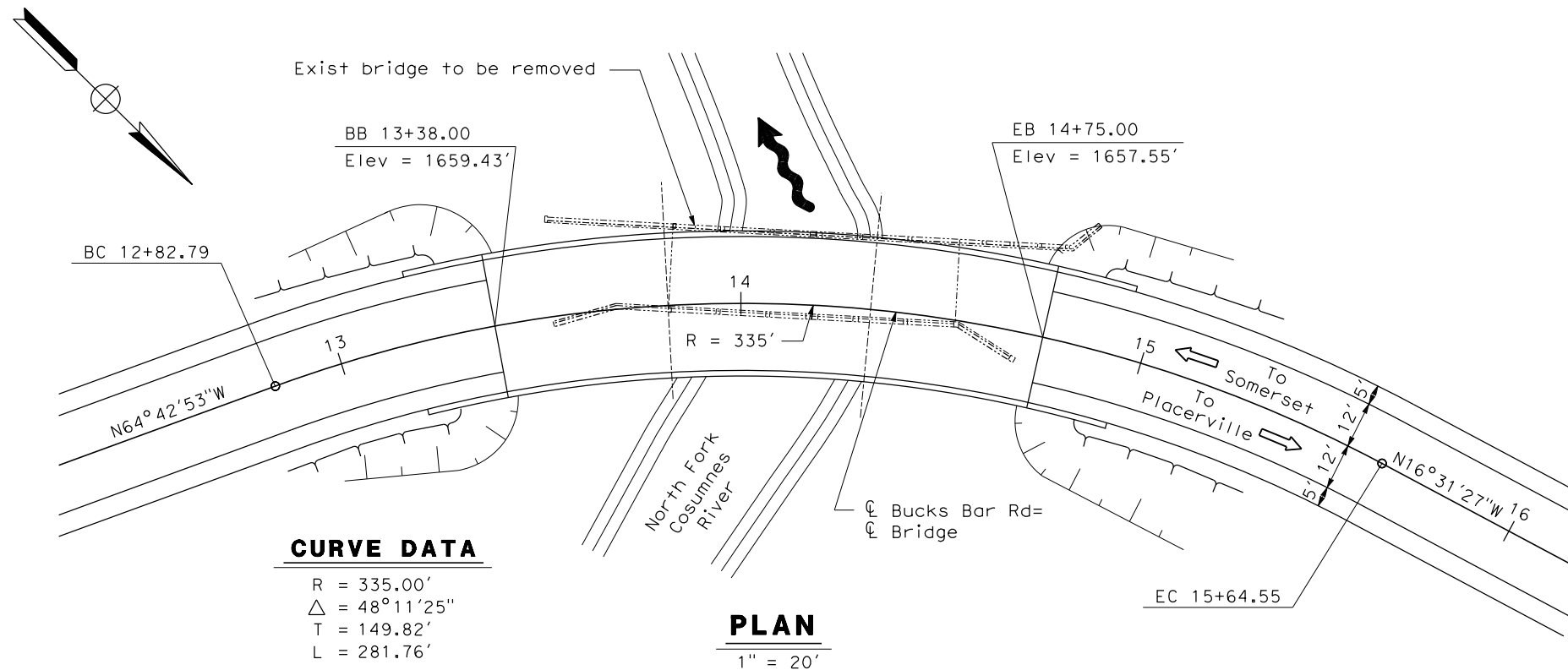
Dokken Engineering
2365 Iron Point Rd, Suite 200
Folsom, Ca 95630



TYPICAL SECTION

1" = 10'

Date of estimate	=	11-04-09
Structure depth	=	3' min, 5' max
Length	=	136'-0"
Width	=	36'-10"
Area	=	5009 sq ft
Cost/ft including 10% mobilization & 25% contingency	=	\$330.00
Bridge Removal	=	\$150,000
Total Cost	=	\$1,800,000



CURVE DATA

R = 335.00'
 Δ = 48°11'25"
 T = 149.82'
 L = 281.76'

PLAN

1" = 20'

ALTERNATIVE 3

PLANNING STUDY

BUCKS BAR ROAD BRIDGE (REPLACE)

BRIDGE NO. 25C-0003	CU N/A
SCALE: AS NOTED	EA N/A

DESIGNED BY K. Sorokina	DATE 11-04-09
DRAWN BY C. Houghton	DATE 11-04-09
CHECKED BY J. Bishop	DATE 11-04-09
APPROVED	DATE

John Bishop
PROJECT ENGINEER

X	DESIGN OVERSIGHT
X	SIGN OFF DATE