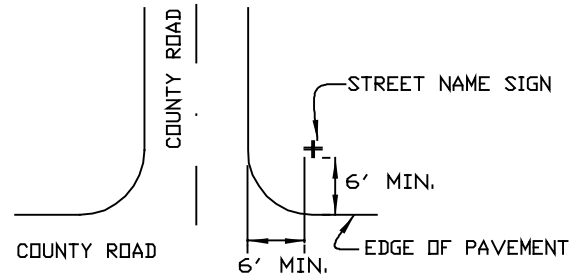
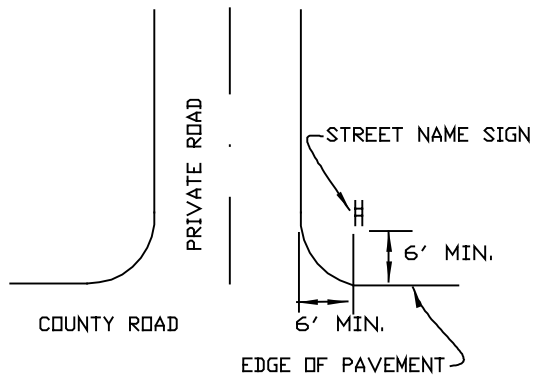


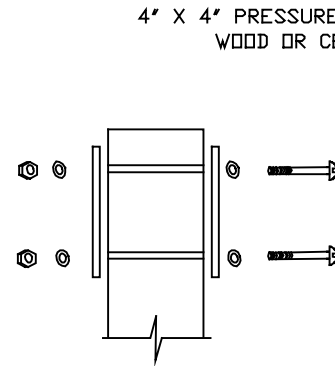
COUNTY ROAD STREET SIGN (SEE NOTE 1)



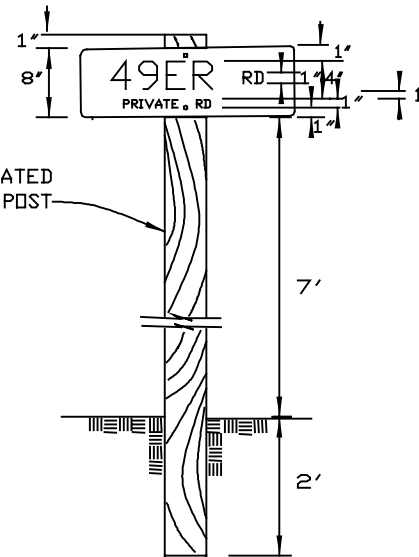
LOCATION OF COUNTY ROAD STREET SIGN



LOCATION OF PRIVATE STREET SIGN



PRIVATE ROAD TYPICAL SIGN ASSEMBLY



PRIVATE ROAD STREET SIGN

(SEE NOTE 2)

NOTES:

1. STREET NAME PANELS FOR COUNTY ROADS SHALL BE FLAT ALUMINUM PLATES, 0.08" THICK. PANELS SHALL BE 6' X 24' OR 6' X 30', DEPENDING ON STREET NAME LENGTH. LETTERING TO BE 1" AND 4" SERIES "B", SILVER REFLECTIVE SHEETING ON GREEN SCOT-LITE BACKING.
2. STREET NAME PANELS FOR PRIVATE ROADS SHALL BE FLAT ALUMINUM PLATES, 0.08" THICK. PANELS SHALL BE 8' X 30' OR 8' X 24', DEPENDING ON STREET NAME LENGTH. LETTERING TO BE 1" AND 4" SERIES "B", SILVER REFLECTIVE SHEETING ON GREEN SCOT-LITE BACKING.

NOT TO SCALE

GENERATED	REVISIONS	APPROVED:
NO.		
DATE 3/14/90		DIRECTOR OF TRANSPORTATION
DESIGNED		
DRAWN JM/SR/BS		
CHECKED SKP		
APPROVED		SENIOR CIVIL ENGINEER P.E. NO.

EL DORADO COUNTY  
DEPARTMENT OF TRANSPORTATION  
DESIGN STANDARDS

STREET SIGN

STD.  
PLAN  
105B